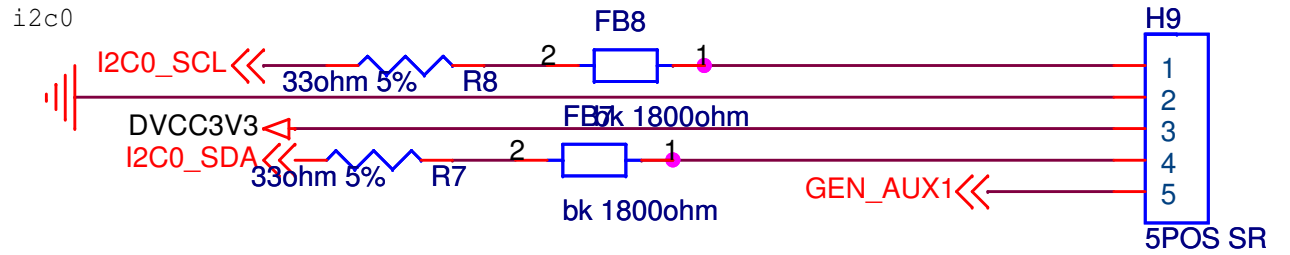
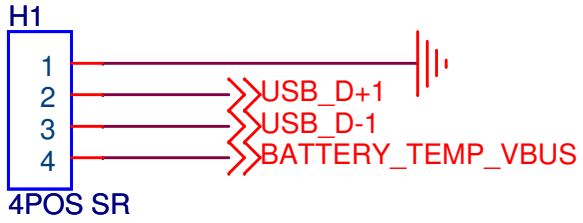
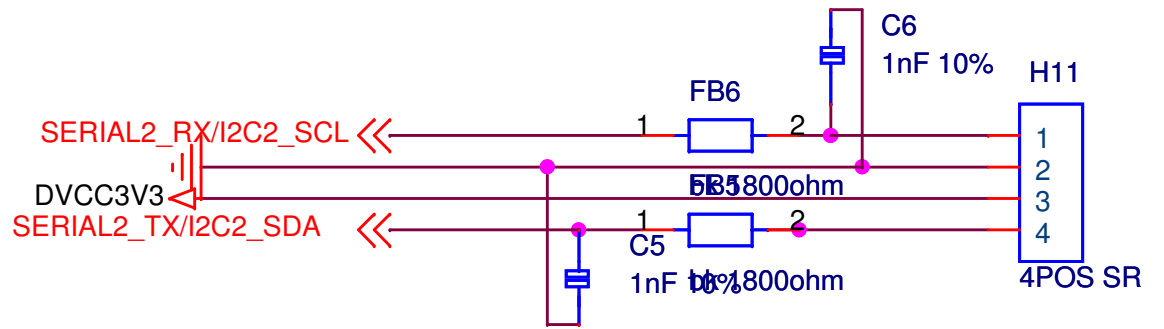


USB



serial2



To Panel_Pod

